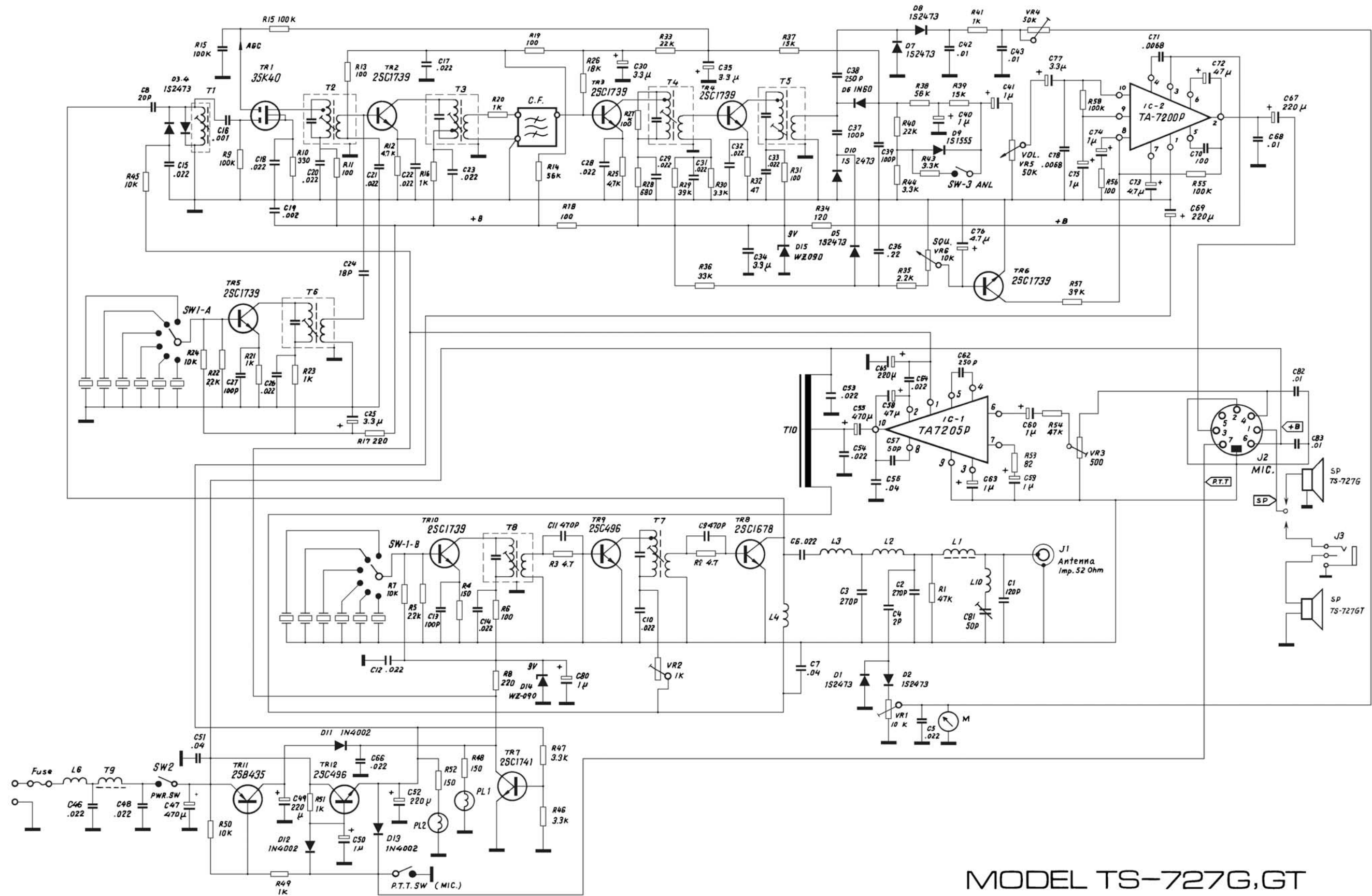


SCHEMATIC DIAGRAM



MODEL TS-727G,GT