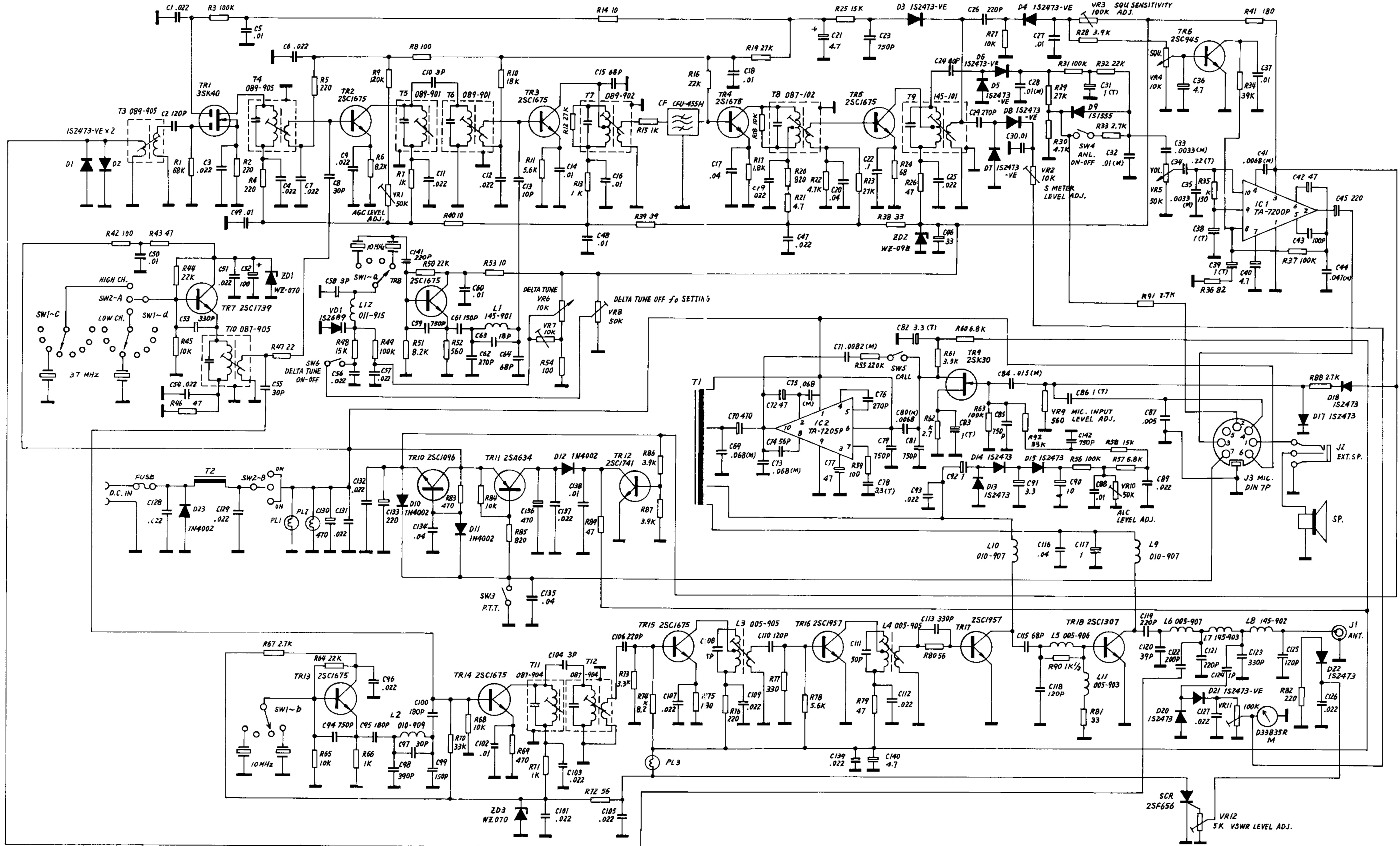


CIRCUIT DIAGRAM



MODEL TS-664S