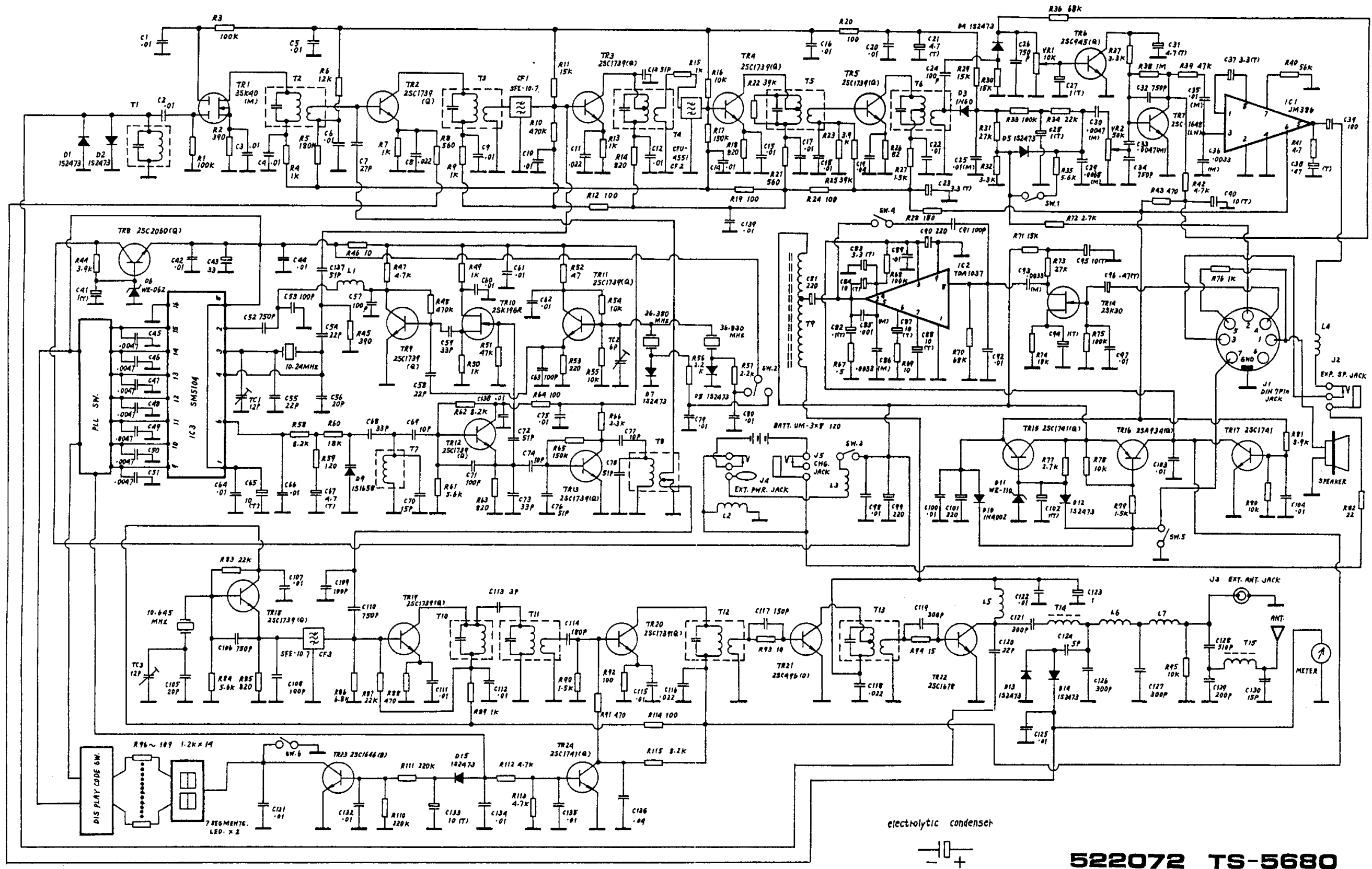


CIRCUIT DIAGRAM



522072 TS-5680