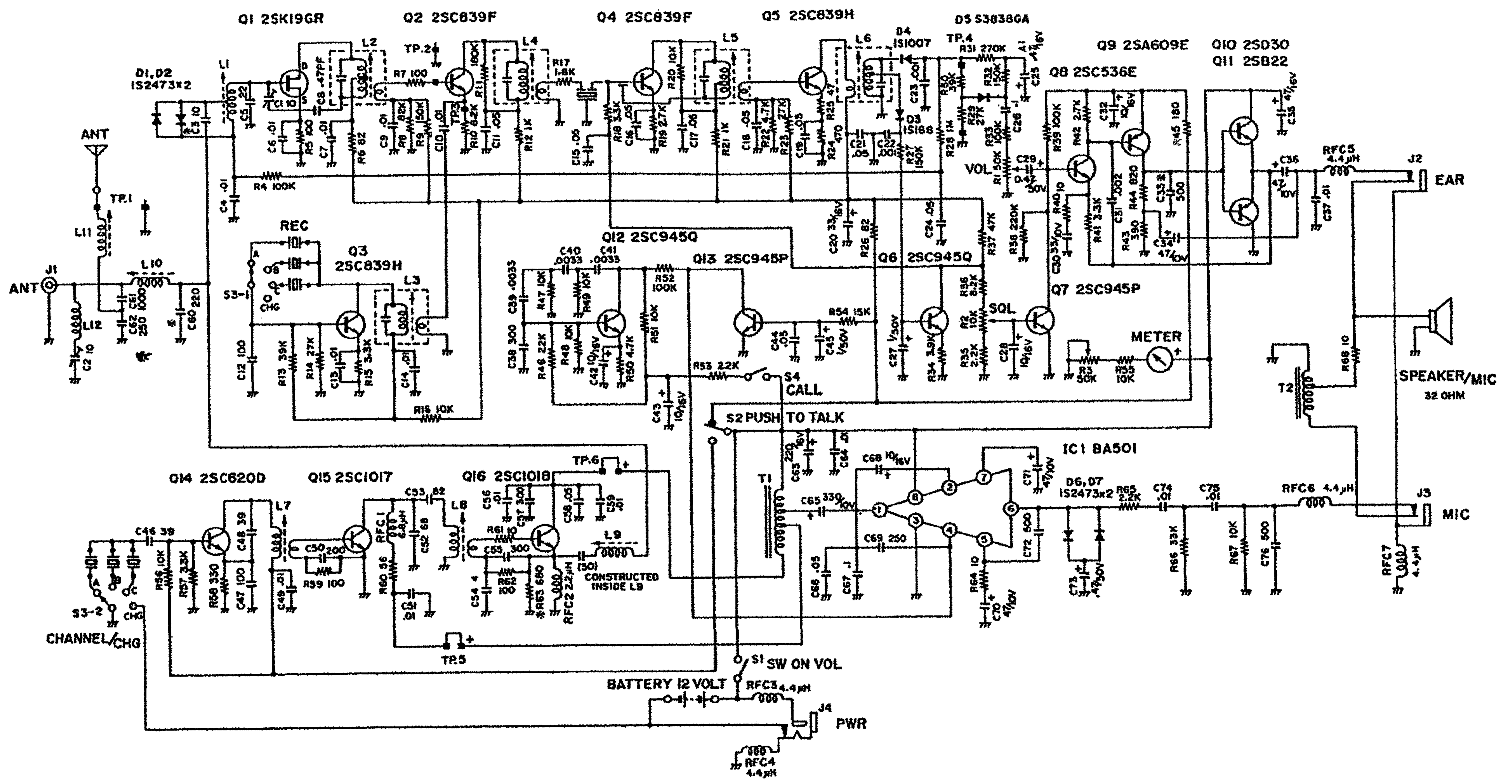


SCHEMATIC DIAGRAM *Schaltbild*



NOTES

1. ALL RESISTANCE VALUES ARE IN OHMS.
2. ALL CAPACITANCE VALUES EXPRESSED IN WHOLE NUMBERS ARE IN PF, AND THOSE DECIMAL ARE IN μ F, EXCEPT ELECTROLYTICS WHICH ARE ALL EXPRESSED IN μ F.
3. MARKED WITH * MAY VARY FOR ADJUSTMENT.

